

产品参数表 (Product Datasheet)

产品型号 (Product Type) : 202-AMT8060-0402 (AMT Tweeter气动式高音)

技术规格 (SPECIFICATIONS)

Nominal impedance Zn 4.0 Ω ±15%
 Dc resistance Re 4.4 Ω ±10%
 Resonance Frequency fs 2.0 KHz
 Sensitivity spl 92.0 dB ±3dB
 Frequency Range 1.5KHz ~ 30kHz

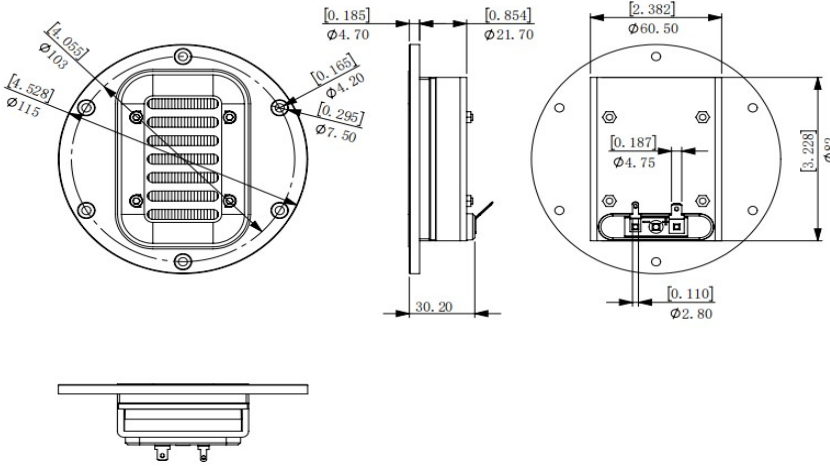
功率 (Power handling)

100 h RMS noise test (IEC) 20.0 W
 Longterm Max System Power (IEC) 40.0 W
 IEC 268-5 noise signal is used for the powertest.
 Lowest Recommend Crossover ≥2.5 KHz
 Net Weight 95.0 g/pc

产品材料 (Product Material)

Front Panel Material Iron
 Diaphragm Material KAPTON
 Conductive Line Material Alumium foil
 Magnet Material Neodymium

产品图片 (Product Photos)



产品曲线 (Product curve)

