

(Product Datasheet)

(Product Type) : 202-ART7040-0801 (Ribbon Tweeter)

(SPECIFICATIONS)

Nominal impedance Zn 8.0 Ω ±15%
 Dc resistance Re 7.0 Ω ±10%
 Resonance Frequency fs 1.5 KHz
 Sensitivity spl 89.0 dB ±3dB
 Frequency Range 1.5KHz ~ 30kHz

(Power handling)

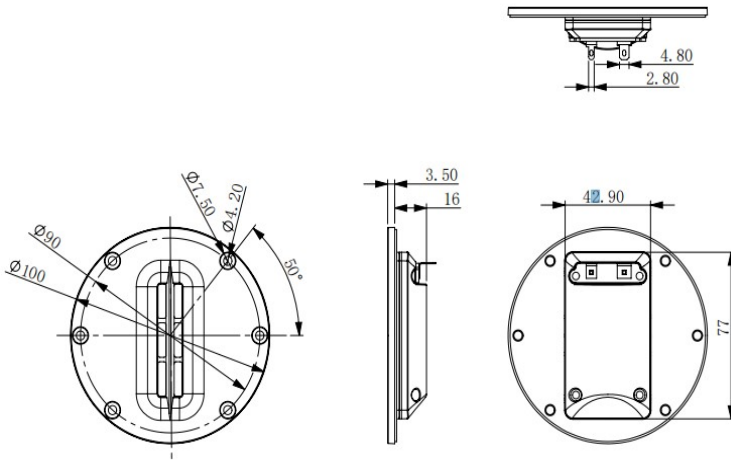
100 h RMS noise test (IEC) 10.0 W
 Longterm Max System Power (IEC) 20.0 W
 EC 268-5 noise signal is used for the powertest
 Lowest Recommend Crossover ≥2.5 KHz

(Product Material)

Front Panel Material Plastic black
 Diaphragm Material KAPTON
 Conductive Line Material Alumium foil
 Magnet Material Neodymium

Net Weight 86.5 g/pc

(Product Photoes)



(Product curve)

