

产品参数表 (Product Datasheet)

产品型号 (Product Type) : 202-ART7040-0802 (Ribbon Tweeter 气动式高音)

技术规格 (SPECIFICATIONS)

Nominal impedance Zn 8.0 Ω $\pm 15\%$
 Dc resistance Re 7.0 Ω $\pm 10\%$
 Resonance Frequency fs 1.5 KHz
 Sensitivity spl 90.0 dB ± 3 dB
 Frequency Range 1.5KHz ~ 30kHz

功率 (Power handling)

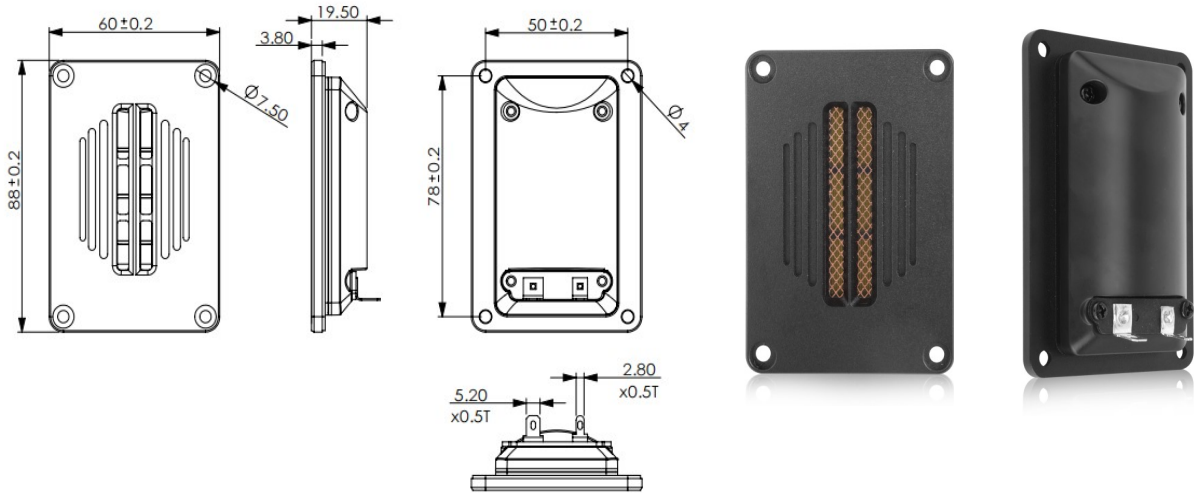
100 h RMS noise test (IEC) 10.0 W
 Longterm Max System Power (IEC) 20.0 W
 EC 268-5 noise signal is used for the powertest
 Lowest Recommend Crossover ≥ 2.5 KHz

产品材料 (Product Material)

Front Panel Material Alumium black
 Diaphragm Material KAPTON
 Conductive Line Material Alumium foil
 Magnet Material Neodymium

Net Weight 125.0 g/pc

产品图片 (Product Photos)



产品曲线 (Product curve)

